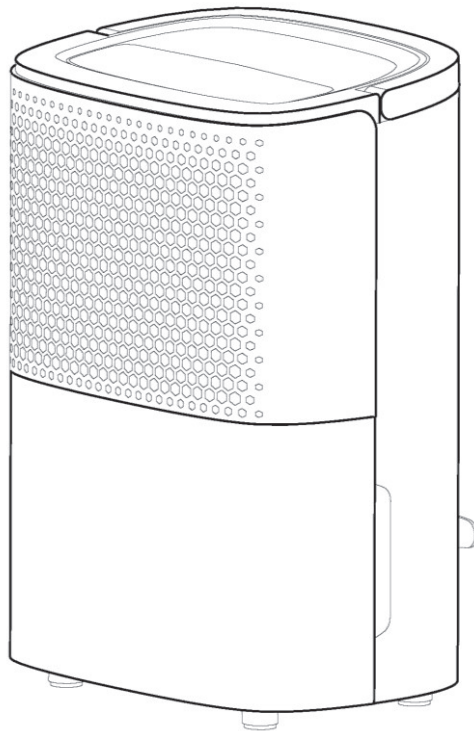


# Haier

## Dehumidifier User Manual

### Model:

AG10AA1TAA  
AG12AA1TAA



Thank you very much for selecting this new model of dehumidifier.  
please read this Operation Manual carefully before installing and using this  
appliance. Please keep this Operation Manual properly for future reference.

# Contents

<b>Safety information</b> .....	<b>2</b>
<b>Common Questions</b> .....	<b>3</b>
<b>Installation</b> .....	<b>4</b>
<b>Components</b> .....	<b>5</b>
<b>Control panel</b> .....	<b>6</b>
<b>Operation</b> .....	<b>7</b>
<b>Drainage</b> .....	<b>8</b>
<b>Maintenance</b> .....	<b>9</b>
<b>Trouble shooting</b> .....	<b>10</b>
<b>Specification</b> .....	<b>11</b>

# SAFETY INFORMATION

1. Please read the operating instructions carefully before using your dehumidifier for the first time and keep it on a safe floor.
2. Never immerse the appliance in water or other liquids.
3. Place the unit on a stable flat surface to avoid loud noises and vibrations.
4. Never operate the appliance if a cable or connector has been damaged, after appliance malfunction or if the appliance was dropped or otherwise damaged.
5. The appliance may only be repaired by qualified personal, improper repair work can be a source of considerable danger for the users.
6. Pull out the power plug before transporting it and / or before cleaning.
7. Operate the appliance only at the voltage specified on the rating label.
8. The device may not be connected to a power strip with other household appliances.
9. Use the appliance only in the household, and only for the purpose it was developed for.
10. Do not operate this unit near heating appliances and flammable or dangerous objects.
11. If the dehumidifier is operated in a room with gas driven devices, so the room must be aired regularly and often.
12. Please use the function of the internal drying, if the device is not used for a long time. This will prevent formation of mildew and unpleasant smell inside the unit.
13. Do not place heavy objects on the appliance.
14. Do not hang curtains or wet clothes in front of the air outlet, this will overload the device.
15. The drainage hose may not be installed outdoors at low temperatures.
16. To prevent spillage, empty the water tank before relocating the appliance.
17. Do not tip the appliance to any side as escaping water could damage the appliance.
18. If the supply cord is damaged, it must be replaced by a qualified person to avoid a hazard.
19. If you smell the smoke during start-up or if you can see the smoke, immediately disconnect the power plug out and contact your dealer.
20. The unit should be installed with a minimum distance of 20 cm from the wall or other obstacles.

This appliance can be used by children aged from 8 years and above and persons with reduced physical, sensory and mental capabilities or lack of experience and knowledge if they have been given supervision or instruction concerning use of the appliance in a safe way and understand the hazards involved. Cleaning and user maintenance shall not be made by children without supervision.

# Common Questions

Q: Why drainage water is less in winter?

In winter, temperature is low, but air is dryer compared with air in summer, please note that it is not a fault.

Q: Why the dehumidifier doesn't work or stop working suddenly.

Maybe the water tank is full or water tank is not well-installed, if yes, pour away the water and install the water-tank in a correct way.

Maybe the ambient temperature is very low and very high (when operation temperature is lower than 5°C or higher than 32°C, the unit will not work.) Operation temperature range for the unit is 5-32°C and relative humidity at 30%-80%. Best operation temperature range is 16-32°C.

Q: Why the outlet air is a little warm?

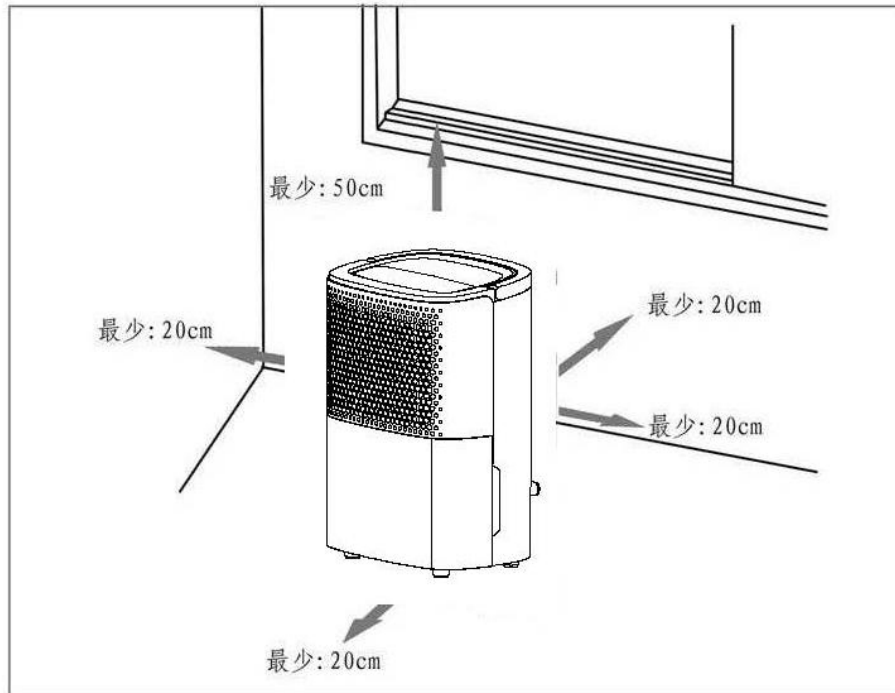
It is not a fault, when room air is condensed by the condensing system; water comes out and falls to the tank, the dry air flow through the inner system but grows warm.

# Installation

Empty the water tank before turn on the unit.

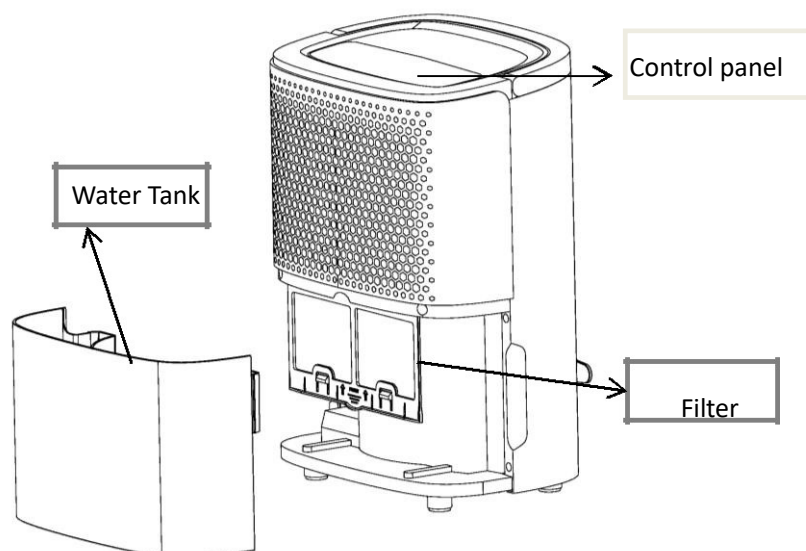
During the operation, keep unit closed to the door and windows closed to save energy.  
Make sure no block at air inlet and outlet

Put the unit is stably laid on as the following photo. (At least 20cm from the front/back or the left/right, and at least 50cm from the top.)

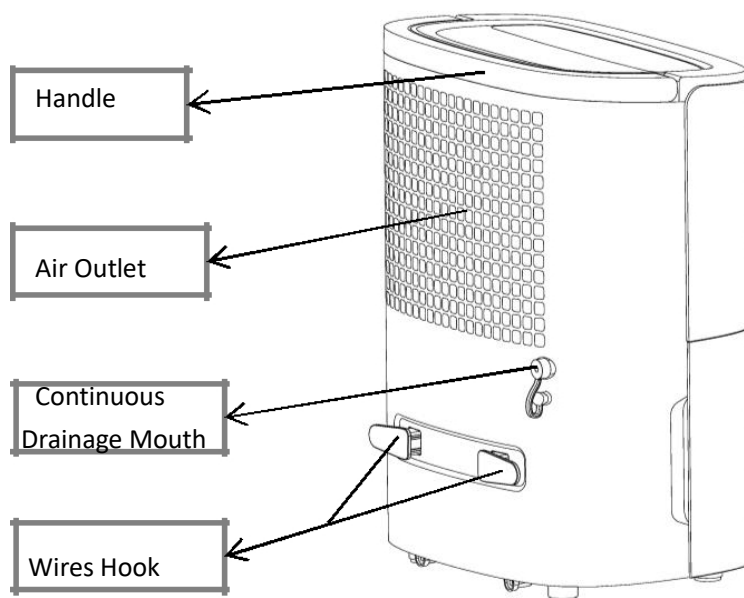


# Components:

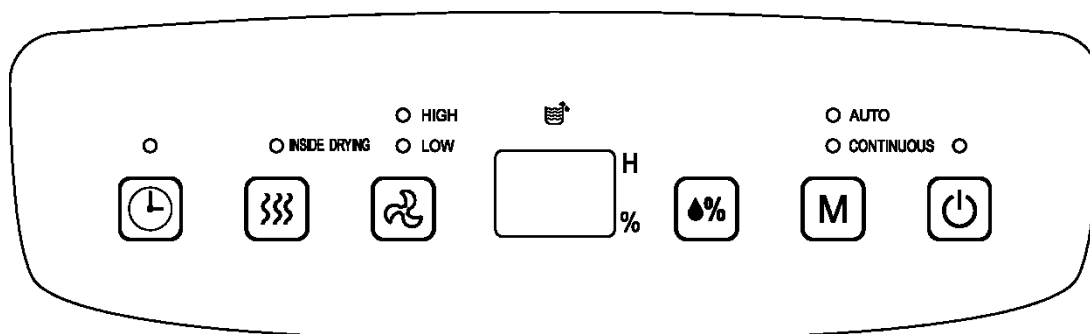
Front:



Back:



## Control panel



**Timer:** 24 hours timing, press the key, to set the timing off or timing on, timing range is from 1 to 24hours, it will increase 1hour by each press. Press the key again, timing can be canceled.

**Internal drying function:** press the key to start the inside drying function.

**Fan:** In Auto dehumidifying and cloth dry mode, press this button to change fan speed, high-low-high.

**Display screen:** In Auto dehumidifying or cloth dry mode, it will indicate the actual room humidity. In timing mode, it indicates the setting time.

**Humidity setting:** In Auto dehumidifying mode, press the key to set humidity, humidity range is from 30% to 80%, it decreases 5% by every press.

**Mode:** When power on or timing power on, press this button to choose auto dehumidifying or continuous dehumidifying (dry cloth function). The lights will flash when choose the modes.

**On/Off:** Press the key to turn on/turn off the unit.

# Operation

## Timing off

When unit is working, press “Timer” to start the function, then press “Humidity setting” button to set hours, timing range is from 1 to 24hours, it will increase 1 hour by each press. When time is up to your setting, unit will turn off. After setting, timer button flashes 5 time for confirmation.

## Timing on

When unit is power on, press “Timer ” to start the function, then press “Humidity setting ” button to set hours, When time is up to your setting, unit will turn on. After setting, timer button flashes 5 time for confirmation.

## Auto dehumidifying mode

Under this mode, if room humidity  $>$  setting humidity+5%, compressor will start, and fan will works; if room humidity  $<$  setting humidity-5%, compressor will stops, fan will work according to the original setting; if setting humidity-5%  $<$  room humidity  $<$  setting humidity+5%, the unit will continue working according to the original settings. The initial humidity value is 50%.

## Cloth dry mode

Under this mode, the unit will work regardless of the room humidity, compressor works, and fan will work from high speed, fan speed is adjustable.



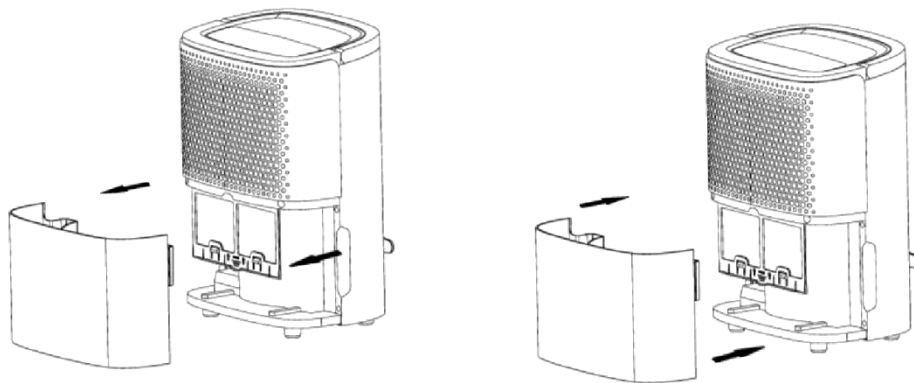
# Drainage

## 1. Drainage manually

When water tank is full, water-full indicator is on, the unit will stop working, and buzzer will sound 10times till water is pour off.

Take out water tank, pour away water.

Replace the water tank, dehumidifier restarts working. Please install the water tank as the following photo.

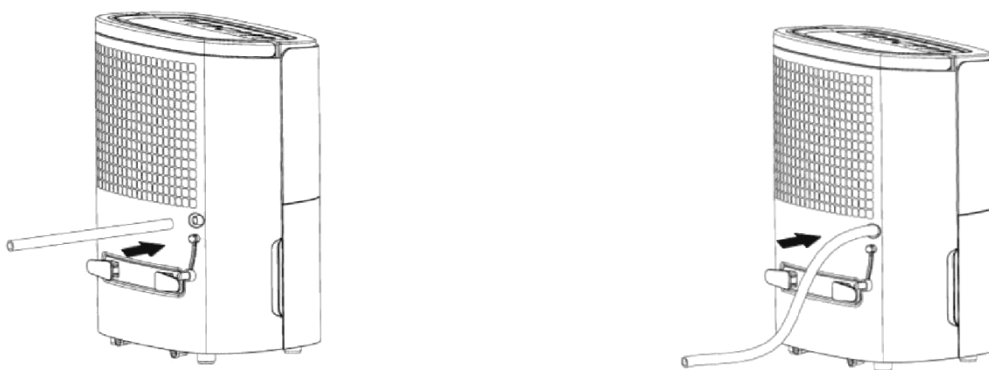


Note: Before putting in the water tank, please ensure the float is flexible.

## 2. Continuous drainage (optional)

To connect a water pipe in the back, (inner diameter is 9mm) water can be drained continuously.

Please check if the pipe is stably connected with the drainage mouth, or water will flow out.

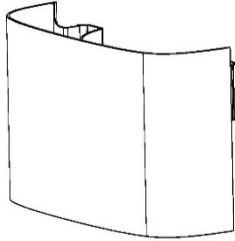


Note: Water pipe cannot be too long (usually 0.6m), the height cannot surpass the height of drainage mouth, or there will be water leakage.

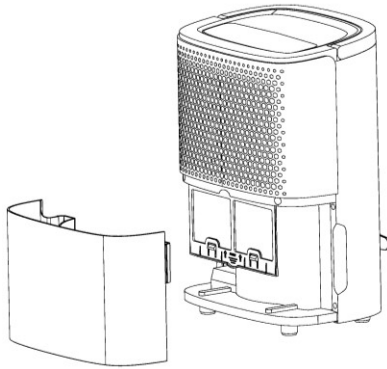
# Maintenance

## Notice:

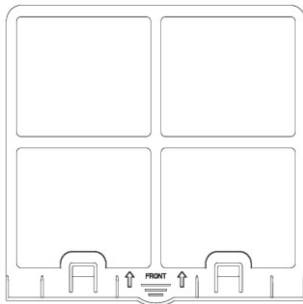
- Turn off this appliance and pull out plug before maintaining or repairing.
- Pull out plug if dehumidifier is not used for long time
- Please do not use benzene, alcohol, gasoline or other chemical reagent to clean unit.
- Clean the water tank with soft cloth.



- Use wet cloth to clean appliance surface, do not use detergent or grinding sponge to damage surface.



- Clean filter at least one time every two weeks.



## Trouble shooting

Troubles	Possible reasons	Resolution
Unit doesn't work	Is the power plug connected?	Put the plug in the socket.
	Water tank is full or water tank is not assembled well.	Pour away the water in water-tank, and put water tank into the unit.
	Operation temperature is too low or too high	Use this dehumidifier under the environment 5-32°C
Dehumidifying function is ineffective	Operation temperature or humidity is too low	Under dry environment, dehumidifying effect will be not so obvious.
	Is air outlet or air inlet blocked?	Clean the air outlet or air inlet.
No outlet air	Is filter blocked?	Clean the filters.
Too loud noise	Is the unit laid stably?	Put the device in a flat floor.
	Is air outlet or air inlet blocked?	Clean the filters.
	There is sound of water flow.	It is refrigerant flowing.
Water leakage	Drainage pipe is not tightly connected.	Check the drainage pipe.
	Pipe is blocked.	Clean the debris in pipe.
Evaporator get frosted	Operation temperature is low, the device is in defrosting.	The device has self-defrosting function, it is not fault, after defrosting, the device will work.

# Specification

<b>Model</b>	<b>YDZ-10D</b>
<b>Voltage</b>	<b>220-240V/50Hz</b>
<b>Dehumidifying capacity (30 °C ,RH80 %)</b>	<b>10L/day</b>
<b>Rated power</b>	<b>240W</b>
<b>Water tank</b>	<b>1.8L</b>
<b>Net weight</b>	<b>9.5kg</b>
<b>Size (mm) (length*depth*height)</b>	<b>296 x 217 x416</b>